

Operating/Service Instructions

EDGER

Model No.
243-600

IMPORTANT

SAFE OPERATION PRACTICES — WALK BEHIND EDGER

TRAINING

1. Read the Operating and Service Instruction Manual carefully. Be thoroughly familiar with the controls and proper use of the equipment.
2. Never allow children to operate a power edger.
3. Keep the area of operation clear of all persons, particularly small children, and pets.

PREPARATION

1. Thoroughly inspect the area where the equipment is to be used and remove all stones, sticks, wire, bones and other foreign objects.
2. Do not operate equipment when barefoot or wearing open sandals. Always wear substantial footwear.
3. Check fuel before starting engine. Do not fill gasoline tank indoors, when engine is running, or while engine is still hot. Wipe off any spilled gasoline before starting engine.
4. Never attempt to make a wheel height adjustment while engine (motor) is running.
5. Edge only in daylight or in good artificial light.
6. Never operate equipment in wet grass. Always be sure of your footing; keep a firm hold on the handle and walk, never run.

OPERATION

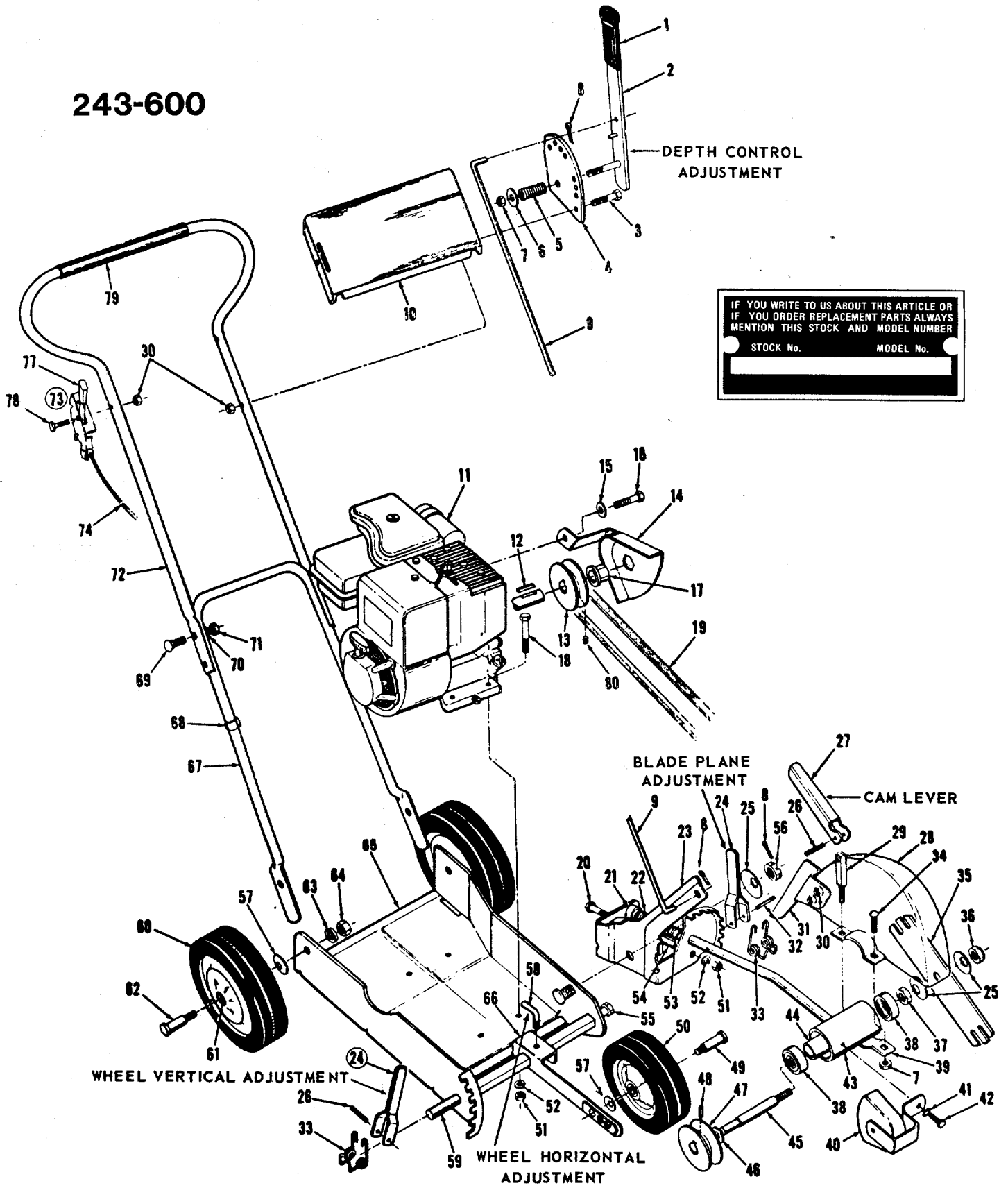
1. Do not change engine governor settings or overspeed engine.
2. Do not put hands or feet near or under rotating parts. Keep clear of discharge opening at all times.
3. Stop blade when crossing gravel drive, walks or roads.
4. After striking a foreign object, stop the engine (motor), remove wire from spark plug, thoroughly inspect the edger for any damage, and repair the damage before restarting and operating the edger.

5. If the equipment should start to vibrate abnormally, stop the engine (motor) and check immediately for the cause. Vibration is generally a warning of trouble.
6. Stop engine (motor) whenever you leave the equipment, before cleaning housing, and when making any repairs or inspections.
7. When cleaning, repairing or inspecting, make certain blade and all moving parts have stopped. Disconnect spark plug wire and keep wire away from plug to prevent accidental starting.
8. Do not run engine (motor) indoors.
9. Never operate edger without proper guards, plates or other safety protective devices in place.

MAINTENANCE AND STORAGE

1. Check blade and engine mounting bolts at frequent intervals for proper tightness.
2. Keep all nuts, bolts, and screws tight to be sure equipment is in safe working condition.
3. Never store equipment with gasoline in the tank inside of a building where fumes may reach an open flame or spark. Allow engine to cool before storing in any enclosure.
4. To reduce fire hazard keep engine free of grass, leaves or excessive grease.

243-600



PARTS LIST FOR 243-600 EDGER

Ref. No.	Part No.	Color Code	Description	New Part	Ref. No.	Part No.	Color Code	Description	New Part
1	720-142		Flat Bar Grip		39	10244		Clamp Bracket	
2	9948		Clutch Handle Assembly		40	9944-463		Belt Guard Assembly	
3	710-106		Hex Head Cap Screw ¼—20 x 1¼ Lg. *		41	736-329		Spring Lockwasher ¼ Screw *	
4	9950		Clutch Plate		42	710-179		Hex Head Thread Cut Screw type "F" ¼—20 x ½ Lg. *	
5	732-171		Compression Spring		43	9934		Spindle Housing †	
6	736-264		Flat Washer *		44	711-385		Spacer	
7	712-372		Hex Centerlock Nut ⅝—18 Thd. *		45	711-384		Spindle	
8	714-474		Cotter Pin ⅜ Dia. *		46	736-116		Flat Washer .625 I.D. x .937 O.D. *	
9	9951		Clutch Rod		47	711-420		Pulley-Spindle	
10	10113-463		Handle Cover		48	715-246		Spirol Pin ⅝ Dia. x 1¼" Lg. *	
11	-----		Engine		49	738-213		Axle Bolt—Front Wheel	
12	714-105		Square Key .187 sq. x 1" Lg. *		50	9392-513		Wheel Assembly 7" Dia.—Front	
13	711-421		Pulley—Engine		51	712-267		Hex Nut ⅝—18 Thd.	
14	9941-463		Belt Guard Assembly		52	736-119		Spring Lockwasher ⅝" Screw *	
15	736-114		Internal Lockwasher ½" Dia. *		53	715-111		Spirol Pin ⅝" Dia. x 1" Lg. *	
16	710-121		Hex Head Cap Screw ½—20 x ¾" Lg.		54	711-386		Spacer	
17	748-227		Hex Bearing		55	711-110		Shoulder Bolt	
18	710-442		Hex Head Cap Screw ⅝—18 x 1½" Lg.		56	712-114		Castle Hex Nut ½—20 Thd. *	
19	754-142		V-Belt ⅜" x 31.2 Lg. *		57	736-105		Belleville Washer *	
20	710-402		Hex Head Cap Screw ⅝—18 x 4½" Lg.		58	711-207		Lock Handle	
21	711-379		Bushing		59	711-382		Shaft	
22	732-187		Compression Spring		60	9392-514		Wheel Assembly 8" Dia.—Rear (2)	
23	9932		Pivot Bracket Assembly		61	7006		Fortiflex Bearing	
24	9946		Lever Assembly		62	738-108		Axle Bolt—Rear	
25	736-112		Belleville Washer *		63	736-169		Spring Lockwasher for ⅝" Screw *	
26	715-119		Roll Pin ⅝" x ¼" Lg. *		64	712-798		Hex Nut ⅝—16 Thd. *	
27	9953		Cam Lever		65	9930-463		Base Assembly	
28	9938-463		Guard Assembly		66	9936-463		Wheel Bracket Assembly	
29	711-383		Stud		67	9955		Handle—Lower	
30	712-107		Hex Centerlock Nut ¼—20 Thd. *		68	746-145		Cable Clip	
31	9952		Guide		69	710-111		Carriage Bolt ¼—20 x 1¼ Lg. *	
32	712-101		Roll Pin ¼" x 1½" Lg. *		70	736-329		Spring Lockwasher ¼" Screw *	
33	732-188		Tension—Spring		71	712-287		Hex Nut ¼—20 Thd. *	
34	710-444		Hex Head Cap Screw ⅝—18 x 1" Lg. *		72	10112		Handle—Upper	
35	9954		Blade		73	10449		Throttle Control Complete	
36	712-200		Hex Elastic Stop Nut ½—20 Thd. *		74	732-200		Conduit and Wire **	
37	712-922		Hex Jam Nut ½—20 Thd. *		77	7470		Knob **	
38	741-124		Bearings #203		78	710-606		Hex Head Cap Screw ¼—20 x 1½ Lg. *	
					79	718-124		Grip — Handle	
					80	710-137		Set Screw ⅝—24 Thd. *	

*For faster service order standard nuts, bolts, and washers locally. If these items cannot be obtained locally, order by part number and size as shown on parts list.

463 — Top Flite Red — When ordering parts, if color or finish is important, use the appropriate color code shown at left. (e.g. Top Flite Red 10112 (463))..

†To order spindle housing complete with two bearings, spacer and spindle shaft order part number 10229.

**Part of throttle control complete 10449.

The engine is not under warranty by the edger manufacturer. If repairs or service is needed on the engine, please contact your nearest authorized engine service outlet. Check the "Yellow Pages" of your telephone book under "Engines — Gasoline."

Find us fast in the



ASSEMBLY

Your new edger is shipped preassembled with the exception of the handle, rear wheels, and throttle control.

1. Remove the edger and all parts from the carton. Make certain that all loose parts and literature are removed from carton before carton is discarded.
2. Assemble the lower handle into the slots in the rear of the frame. Line up the holes in the handle with the holes in the frame and insert the axle bolt through the wheel, belleville washer, frame, handle, lockwasher and secure with hex nut as shown on the parts drawing.
3. Assemble the upper handle assembly to the lower handle with four carriage bolts, lockwashers and nuts.
4. Assemble the clutch rod to the clutch handle and pivot bracket assembly and secure with cotter pins.
5. Check the lubrication section of this manual for proper engine lubrication care.

CONTROLS

ENGINE — One lever operates the choke, regulates the engine speed and stops the engine. Ref. No. 73.

DEPTH CONTROL ADJUSTMENT — The clutching and declutching of the belt is accomplished by moving the clutch handle. To declutch pull the handle towards you as you operate the edger. The farther you push the handle forward the deeper the cut. To operate the clutch handle, move it to the left so the pin clears the clutch plate. Ref. No. 4.

CAM LEVER — The cam lever releases the blade guard assembly so it can be rotated to any position. The cam lever can be tightened by adjusting the hex nut on the stud (ref. no. 29). Ref. No. 27.

BLADE PLANE ADJUSTMENT — The cutting blade can be adjusted from vertical to horizontal position by releasing the lever on the pivot bracket assembly and rotating the spindle housing. The notches will hold it in any position. Ref. No. 24.

WHEEL HORIZONTAL ADJUSTMENT — Loosening the lever on the front of the frame will allow you to move the front wheel bracket assembly to either side of the frame. Ref. No. 58.

WHEEL VERTICAL ADJUSTMENT — By releasing the lever on the R. H. side of the frame you can raise and lower the front wheel of your edger. Additional adjustment can be made by unscrewing the axle bolt and using the different holes in the end of the wheel bracket assembly. Ref. No. 24.

By becoming familiar with all the controls and adjustments before you operate your edger you will be able to easily adjust your edger to a variety of cutting and trimming conditions. While the engine is running, **DO NOT ATTEMPT TO MAKE ANY ADJUSTMENTS** except with the engine control or the depth control adjustment.

STARTING INSTRUCTIONS

1. Fill the crankcase with oil. See Lubrication section of this manual.
2. Fill the gasoline tank with "regular" gasoline.
3. Move the depth control adjustment lever back as far as it will travel and engage the pin in the clutch plate (ref. no. 4).
4. Set the engine control in the "choke" position.
5. Grasp the starter handle and pull out the cord rapidly. Return it slowly to the engine. If the engine does not start after two pulls, move the engine control to the "fast" position.

LUBRICATION

ENGINE — Fill sump with oil. Use a high quality detergent oil classified "For Service MS". Nothing should be added to the recommended oil. SUMMER—Use SAE 30. WINTER—(Below 40° F.) Use SAE 5W-20 or SAE 10W.

Directions: Place the engine level. Remove filler plug. FILL THE OIL SUMP TO POINT OF OVERFLOW. Pour slowly.

WHEELS — The wheel bearings are lifetime fortiflex and require no lubrication.

CUTTER HEAD BEARINGS — The two ball bearings in the cutter head are lubricated and sealed at the factory and require no lubrication. Lubricate all other moving parts with engine oil.

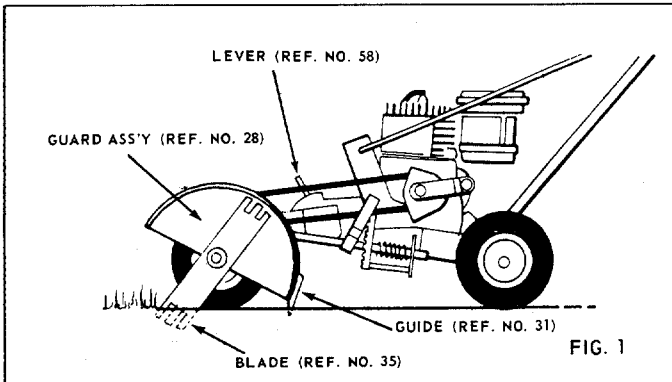
MAINTENANCE

BLADE REMOVAL — Use a wrench on both sides of the blade when removing it for replacement.

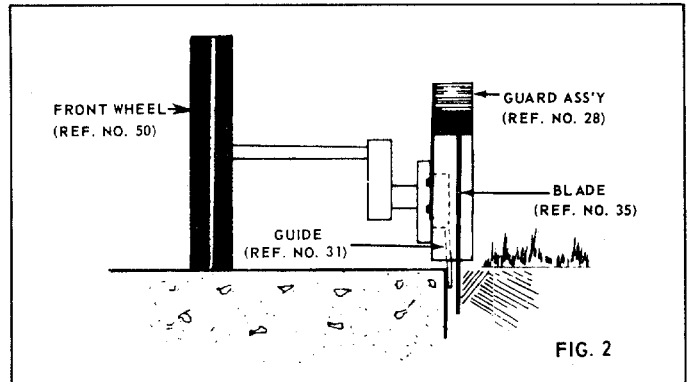
BELT REMOVAL — To remove the V-Belt, remove the belt guard on the engine pulley and the belt guard on the spindle housing. Replace with a $\frac{3}{8}$ x 31.2" V-Belt. (Part Number 754-142.)

OPERATING INSTRUCTIONS

- Loosen the lever (ref. no. 58) on the wheel horizontal adjustment and move it all the way to the right and tighten the lever.



- Guard ass'y. (ref. no. 28) is adjustable horizontally. If operator is on walk as in fig. 2, pull guard ass'y. (ref. no. 28) to the right so that the inside of guide (ref. no. 32) is to the walk. If operator is on lawn, pull the guard ass'y. (ref. no. 28) to the left. This allows the outside of guide

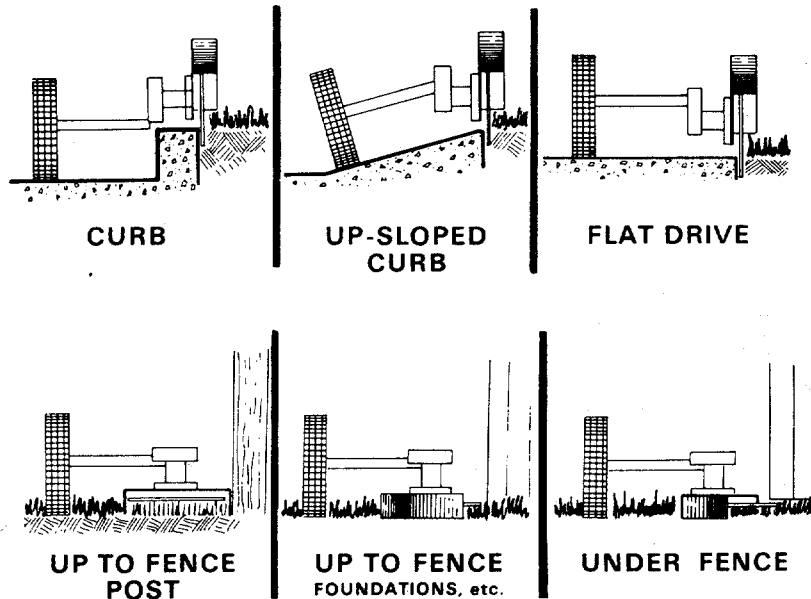


- Move the depth control adjustment lever down until the blade engages in the ground.
- Be sure the guide (ref. no. 31) which is mounted on the guard ass'y. (ref. no. 28) follows in the fresh cut of the blade. (See position of guard, fig. 1).
- Be sure guide (ref. no. 31) rides against the walk (see fig. 2) below.

(ref. No. 31) to be towards the walk. This will protect your blade from wear and damage.

- To operate the edger as a trimmer, rotate the cutter head 90° by adjusting the blade plane adjuster.

- The edger can be adjusted by lowering the front wheel with the wheel vertical adjustment so the front wheel will roll in the street while the rear wheel is on top of the curb.



CAUTION

Do not adjust the blade guard with the engine running.

PARTS INFORMATION

DEFECTIVE OR MISSING PARTS must be reported to the factory immediately. Such claims must include your model number and date of purchase.

MOWER, TILLER, SNOW THROWER, TRACTOR, TRAIL BIKE, MUD BUG AND EDGER PARTS

Mower, tiller, snow thrower, tractor, trail bike, mud bug and edger parts are available through the authorized service firms listed below. All orders should specify the model number of your unit, parts numbers, description of parts and the quantity of each part required.

A 1 Engine & Mower Co.

327 East 9th Street
Salt Lake City, Utah 84102

American Electric Ignition Co.

124 N.W. 8th Street
Oklahoma City, Oklahoma 73102

Auto Electric & Carburetor Co.

2625 4th Avenue, S.
P. O. Box 1948
Birmingham, Alabama 35233

Automotive Equipment Service Co.

3117 Holmes Street
Kansas City, Missouri 64109

Bailey's Rebuild Inc.

1325 E. Madison Street
Seattle, Washington 98102

Brown Equipment Distributor Inc.

110 Beech Street
Corydon, Indiana 47112

Bullard Supply

2409 Commerce Street
Houston, Texas 77003

Catto & Putty, Inc.

P. O. Box 2408
510 Soledad Street
San Antonio, Texas 78205

Center Supply Company

6867 New Hampshire Avenue
Takoma Park, Maryland 20012

Charles B. Wright Co.

309 4th Avenue, South
Nashville, Tennessee 37201

R. T. Clapp Co.

2016 Magnolia Ave., N. E.
Knoxville Tennessee 37917

W. B. Clements

400 Salem Avenue
Roanoke, Virginia 24016

Morton B. Collins Co.

300 Birnie Avenue
Springfield, Massachusetts 01107

Dixie Sales Company

P. O. Box 1408
327 Battleground Avenue
Greensboro, North Carolina 27402

East Point Cycle & Key Shop

1617 Whiteway
East Point, Georgia 30044

Gamble Distributors

West End Avenue
Carthage, New York 13619

Garden Equipment Co., Inc.

6600 Cherry Avenue
Long Beach, California 90805

Henzler, Inc.

2015 Lemay Ferry Road
St. Louis, Missouri 63125

Frank E. Ives & Son

1101 Lincoln Avenue
Prospect Park, Pennsylvania 19076

J. W. Jewett Co.

981 Folsom Street
San Francisco, California 94107

Kenton Supply

8216 North Denver Avenue
Portland, Oregon 97217

Kimber's Inc.

115 W. Geddes St.
Syracuse, New York 13204

The Lawnmower Shop

1340 El Camino Real
San Carlos, California 94070

Marr Brothers

423 E. Jefferson
Dallas, Texas 75203

Mathews Auto Electric Co.

420 East 2nd Street
Tulsa Oklahoma 74120

McClure Lawn & Garden Supply

1114 Lexington Avenue
Mansfield, Ohio 44907

Memphis Cycle & Supply Co.

421 Monroe Avenue
Memphis Tennessee 38103

scription of parts and the quantity of each part required.

BRIGGS & STRATTON, TECUMSEH AND PEERLESS PARTS AND SERVICE

Briggs & Stratton, Tecumseh and Peerless parts and service should be handled by your nearest authorized engine service firm. Check the yellow pages of your telephone directory under the listing *Engines — Gasoline*, Briggs & Stratton or Tecumseh Lauson — Power Products.

Moz-All of Florida, Inc.

365 Greco Avenue
Coral Gables, Florida 33146

National Central, Div. of

Joe Sterling, Inc.
Drawer "D" 687 Seville Rd.
Wadsworth, Ohio 44281

Power Equipment Distributor

36463 So. Gratiot Avenue
Mt. Clemons, Michigan 48043

Parts & Sales Inc.

2101 Industrial Pkwy.
Elkhart, Indiana 46514

Parts & Sales Inc.

335 West St. Charles Road
Villa Park, Illinois 60181

Power Lawn & Garden Equip. Co.

2551-2571 J. F. Kennedy Road
Dubuque, Iowa 52001

Raub Supply Company

James & Mulberry Sts.
Lancaster, Pennsylvania 17604

Radco Distributors

2403 Market Street
P. O. Box 3216
Jacksonville, Florida 32206

Richmond Battery & Ignition

P. O. Box 25369 — 957 Myers St.
Richmond, Virginia 23260

Smith Hardware Company

515 N. George Street
Goldsboro, North Carolina 27530

South Denver Lawn Equip. Co.

527 West Evans
Denver, Colorado 80223

Suhren Engine

8330 Earhart Blvd.
New Orleans, Louisiana 70118

Sutton's Lawn Mower Shop

Route 4, Box 343
North Little Rock, Arkansas 72117

Warner Equipment

7520 Lyndale Avenue, So.
Minneapolis, Minnesota 55423

WARRANTY

For one year from date of purchase, MTD Products Inc will replace for the original purchaser, free of charge, F. O. B. factory or authorized service firm, any part or parts found to be defective in material or workmanship. All transportation charges on parts submitted for replacement under this warranty must be paid by the purchaser. This warranty does not include replacement of parts which become inoperative through misuse, excessive use, accident, neglect, improper maintenance or alterations by unauthorized persons. This warranty does not include the engine, motor, battery, battery charger or any component parts thereof. For service on these units, refer to the applicable manufacturer's warranty.

The above warranty will apply only to the original owner and will be effective only if the warranty card has been properly processed. It will not apply where the unit has been used commercially.

Warranty service is available through your local authorized service dealer or distributor. **UNDER NO CIRCUMSTANCES WILL THE RETURN OF A COMPLETE UNIT BE ACCEPTED BY THE FACTORY UNLESS PRIOR WRITTEN PERMISSION HAS BEEN EXTENDED.**